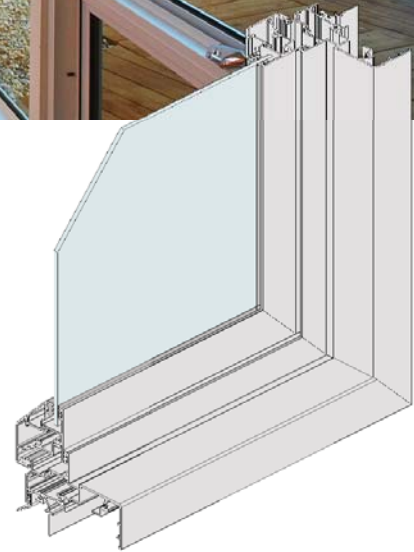




Series 616 MAGNUM™ Awning/Casement Window



DESIGN FEATURES

- This high performance awning / casement window has been designed to complement our existing high performance range of Designer Series windows and doors.
- The window has been tested for compliance with the relevant Australian Standards and achieved a very high water resistance of 1000Pa, this makes the product suitable for most applications including multi-storey apartments.
- Low air infiltration, makes the product suitable for air conditioned buildings.
- The extra strong sashes allow large sash windows to be fabricated for high wind load areas.
- 102mm frames, mullion and transom have a soft 2mm internal radius.
- Awning sashes can be fitted with cam handles, manual chain winders or concealed electric winders. The winder options suit fixed fly screen installation.
- The window is compatible with Designer Series windows and doors. A large range of snap couplers allow these windows to be joined at 90°, 135° and 180° without unsightly rivets or screws.
- Fixed lowlights/sidelights use the same main frame as the opening awning / casement sashes.
- Sashes and sidelights will accept a variety of glass thicknesses from 4mm single panes to 24mm insulating glass units.

Maximum Panel Height	1800mm
Maximum Panel Width	1210mm
Maximum Glass Thickness	≤ 24mm

Subject to individual site conditions. Contact AWS Technical Support for more information.



WERS RATED PRODUCT



ENHANCED ACOUSTIC PERFORMANCE



3D & 2D CAD FILES AVAILABLE



PRODUCT INFORMATION AVAILABLE AT
WWW.VANTAGEALUMINIUM.COM.AU



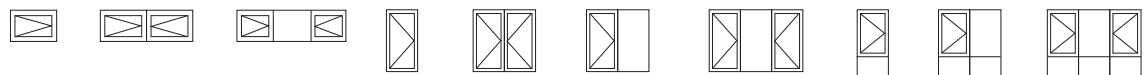
SPECIFIER ASSISTANCE AVAILABLE

TYPICAL CONFIGURATIONS

Awning Style



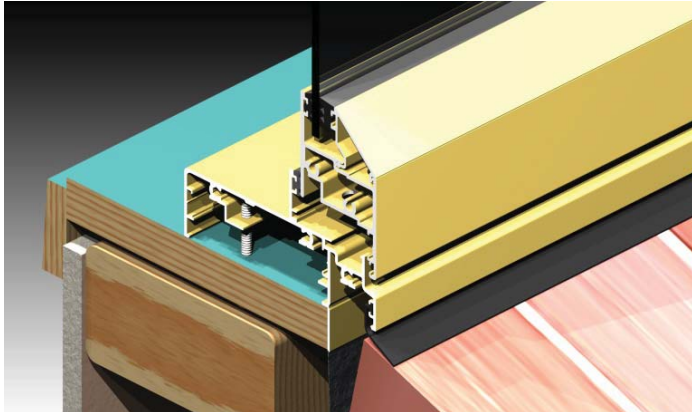
Casement Style



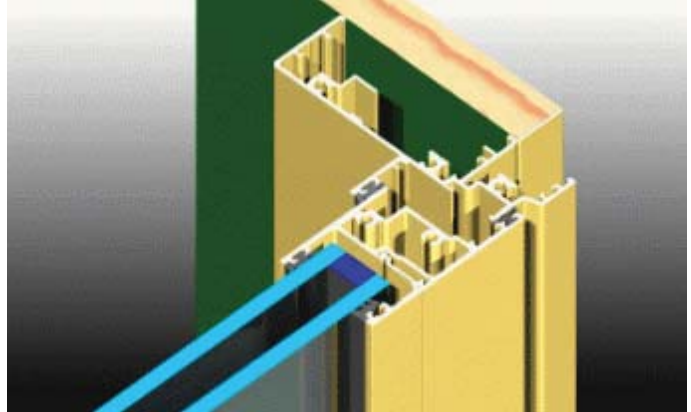


Series 616 MAGNUM™ Awning Window

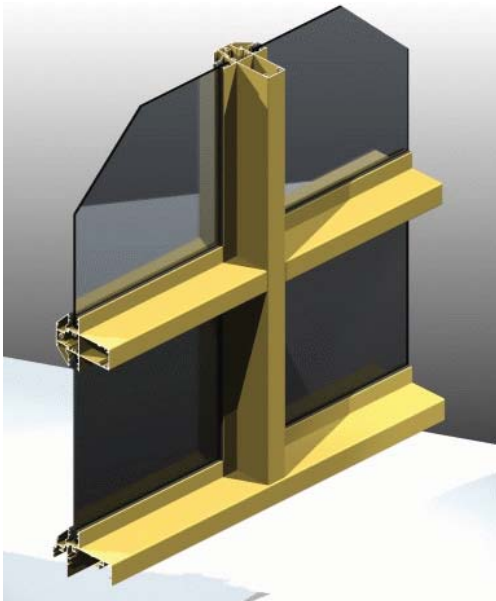
01.09



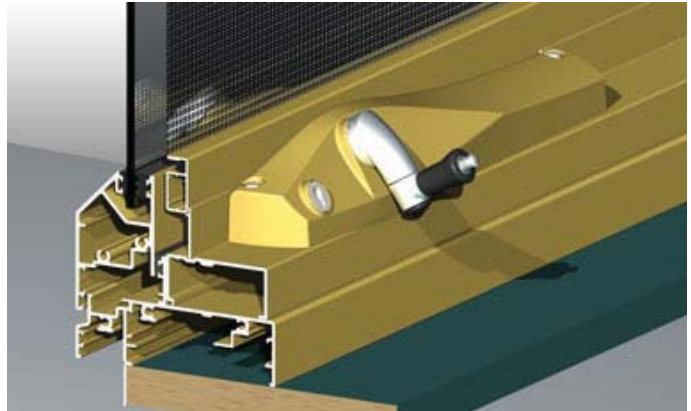
The frame is 102mm thick with 40mm thick sashes that are designed and strong enough for exposed locations. We have several sash options to choose from – The full range can be seen on our WEB site.



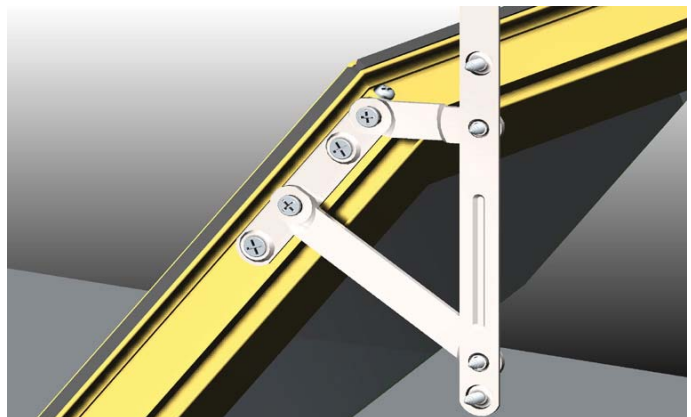
Beaded sashes will accept glass from 4mm to 24mm thick. The picture above shows 24mm IGU in standard 102 x 30mm frame.



To soften the internal appearance, frame, mullion and transom have a 2mm inner edge corner radius. Mullions are set back 2mm and transoms are set back another 2mm, as shown above.



The standard chain winder used on Series 616 comes standard with stainless steel chain and Polesium™ cover and base. These corrosion resisting features make the winder suitable for exposed locations. 10 Year manufacturers warranty. We also fix the winder to the frame and sash through thickened area.



Series 616 sashes are hung on heavy duty four bar stays aluminium or stainless steel.



2D & 3D CAD FILES AVAILABLE
GO TO: www.vantagealuminium.com.au >
CAD & Revit 3D Files
CAD file: DWG or DXF VAN_616



MORE INFORMATION
For the latest updates regarding this product visit our web site
www.vantagealuminium.com.au

